

Installation Instructions - For Service Persons Only

Model No: **RX2-150**

2 Channel Receiver : 150m Code Hopping

Technical Specifications:

Model:	RX2-150
Encryption type:	Code hopping
Transmission frequency:	403MHz (Local) 433MHz(Export)
Transmission method:	OOK
Modulation	AM
Transmission range:	150m "Line of sight" 60m "Indoors"
Memory capacity per Relay:	40 remotes per Relay
Voltage range:	12VDC or 24VAC
Standby current consumption:	+/-14mA 10%
Current consumption all on:	+/-60mA 10%
Operating Temperature:	-7°C to 49°C
Dimension (lxbxh)	80 x 55 x 25mm
Gross weight:	78g Packed

Features:

Code-Hopping Encryption; 2 x Relay output; High traffic mode
 0.5sec; 1sec; 3sec; 30sec; 1min; 3min; On/off; Latching
 Normally Open / Closed; ABS housing
 Frequency stability controlled +/- 75KHz

Approvals:

This product is approved for use in residential, commercial and light Industrial environment and complies with the essential protection requirements of the R&TTE Directive 1999/EC on the approximation of the laws of the Member states relating to electromagnetic compatibility and radio spectrum.

Certifications:

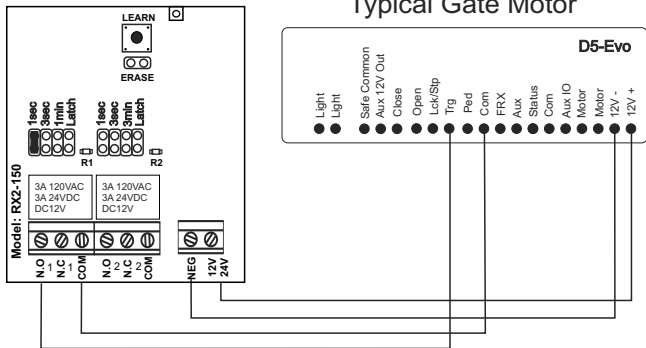
ETSI EN300 220-V2.4.1
 ETSI EN301-489-3 V1.4.1
 ETSI EN301-489-1 V1.9.2
 IEC 60950-1:2005 + A1:2009
 ICASA TA-2017/1845



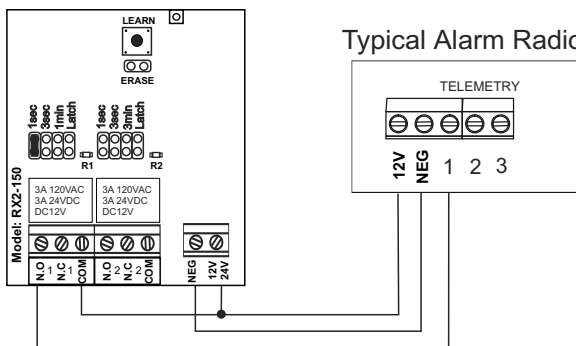
Order Codes:

2 Channel Receiver : 150m Code-hopping	RX2-150
--	---------

Typical Gate Motor



Typical Alarm Radio



Programming remotes in

1. Default the unit before you begin a new installation. This erases all previously programmed remotes.
2. Press the LEARN switch once to step to relay 1. (1 x beep sounds)
3. Press the button on the remote control a few times to learn in to the receiver. (2x beeps sound)
4. Continue to learn in any additional remote controls until all the remotes are programmed in.
5. Press the LEARN switch again to step to relay 2. (1x beep sounds)
6. Repeat Step 3; 4 & 5 until all the remotes are programmed in to each respective relay.
7. Once relay 2 is programmed, press the LEARN switch once more to step past relay 2 and exit out of learn mode. (1 x long beep sounds)

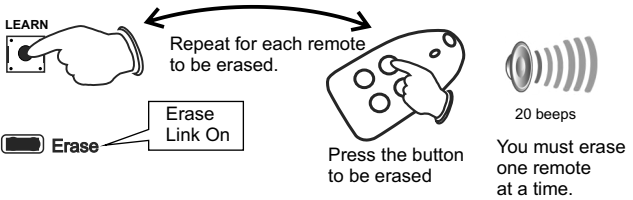
Note: The unit can be programmed with up to 40 remotes. When the memory limit has reached its limit the RX2-150 will auto exit out of program mode. The unit auto exits out of program mode if nothing is received after 10 -20 seconds.

Programming the ON/OFF function

1. Default the unit before you begin a new installation. This erases all previously programmed remotes.
2. Select the 1 sec & 3 sec relay time jumpers respectively.
3. Press the LEARN switch once to step to relay 1(ON command) (1 x beep sounds)
4. Press the button on the remote control for the ON command. (2 x short beeps sound)
5. Press the LEARN switch again to advance to the OFF command. (2 x beep sounds)
6. Press the button on the remote control for the OFF command. (2 x short beeps sound)
7. Press the LEARN switch again to advance to the next relay channel.
8. Repeat Step 3 - 6 until all the remotes are programmed in to each relay.
7. Once relay 2 is programmed, press the LEARN switch once more to step past relay 2 and exit out of learn mode. (1 x long beep sounds)

Erasing individual remotes

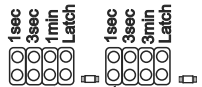
1. Link the ERASE jumper
2. Press the LEARN switch
3. Press the remote to be erased
4. Repeat step 2 & 3 for each remote to be erased.
5. Remove ERASE jumper when done



Defaulting the UNIT

Note: Please default the unit first before doing a brand new installation. This will erase any previously programmed factory test remotes from the memory.

Press and hold for more than 10 Seconds. When the beeping stops the unit is defaulted. Wait a few seconds until it re-boots.



Remove all jumpers

Relay time jumper settings

<p>0.5 Second</p> <p>Gate & garage door automation</p>	<p>1 Second</p> <p>Gate & garage door automation</p>	<p>3 Seconds</p> <p>High traffic PIRTX</p>	<p>30 Seconds</p> <p>Maglock release</p>
<p>RELAY 1 1 Minute</p> <p>Zone bypass</p>	<p>RELAY 2 3 Minutes</p> <p>Siren output or beam bypass</p>	<p>On / Off</p> <p>Code 1 = ON Code 2 = OFF</p>	<p>Latch & Unlatch</p> <p>Arming & Disarming alarm panels</p>

Setup HIGH TRAFFIC mode

Set the unit to **HIGH TRAFFIC** mode if using the receiver for applications where more than 100 triggers will be received per day. We recommend setting High Traffic mode when using the receiver with PIRTX transmitters in alarm zones on motion detectors. Set the time jumper to 3 seconds to enable High traffic mode.

Warranty

This product is sold subject to our standard warranty conditions and is warranted against defects in workmanship for a period of two years.

Customer Support line:
+2711 462 5101 E-mail: technical@sherlotronics.co.za